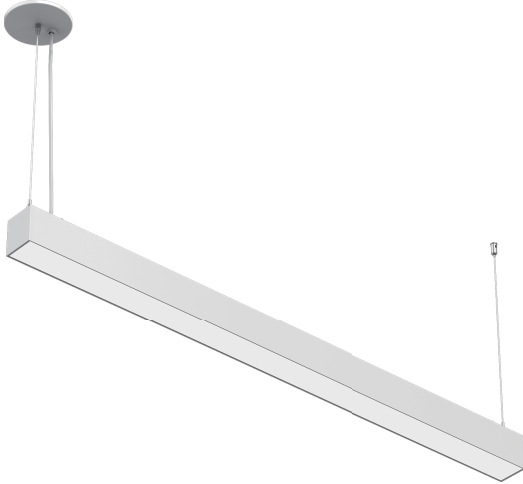




LED UP DOWN LINEAR LIGHT



FEATURES AND SPECIFICATIONS

Construction

- Light Direcon is selectable from Down only, Up only or both Down & Up lights.
- Five lighting distribution ways switchable: Up 100%+Down 0%, Up 70%+Down 30%, Up 50%+Down 50%, Up 30%+Down 70%, Up 0%+Down 100%, .
- Control CCT of down or uplight individually, Switch from 3500K, 4000K & 5000K.
- Sensor and emergency battery backup are available.

Electrical

- Working voltage 120-277V
- 0-10V dimming standard for a dimming range of 100% to 0%.
- Operating Temperature Range: -20°C to +45°C (-4°F - + 113°F).
- Note: Operating with emergency battery temperature range: 5°C to 45°C (+41°F - + 113°F).

Applications

- Commercial area, Residential area, Convention center, Office, Lobby hospility, Showroom, Hotel.

Installation

- Pendant mounting, surface mounting and wall mounting standard. Linkable mounting:15pcs MAX unique end cap simplifies installation, seamless continuous runs or individuals.

Listing

- UL listed.
- DesignLights Consortium ®(DLC)Premium

Warranty

- 5-year limited warranty

Specs at a Glance	* Nominal Wattage (Switchable)
Configuration	DB77E-4-50W- A5C3
CCT (K)	UP 3500K 4000K 5000K Tunable DOWN 3500K 4000K 5000K Tunable
Wattage (W)*	50/35/25/15W adjustable
Lumens (lm)	50W=6500lumens 35W=4550lumens 25W=3250lumens 15W=1950lumens
Efficacy (LPW)	130lm/w
Size	4FT
CRI	>80
Input Voltage	AC120-277V
Operating Temp	-20°C-48°C
Certifications	UL&DLC 5.1 Premium
Warranty	5-year limited warranty



JENLIGHTING

JEN-LS02

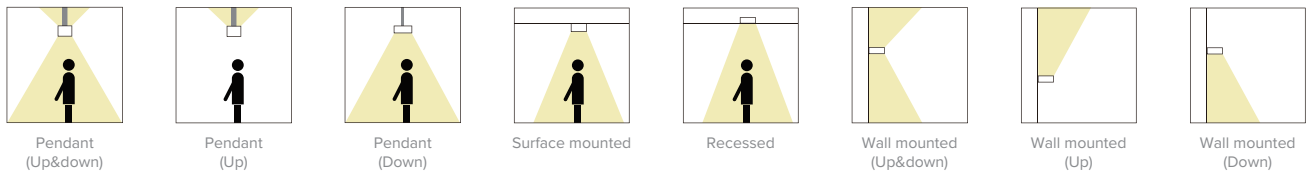
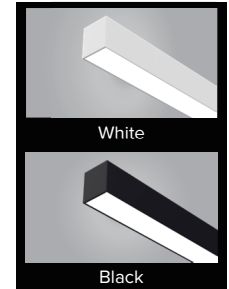
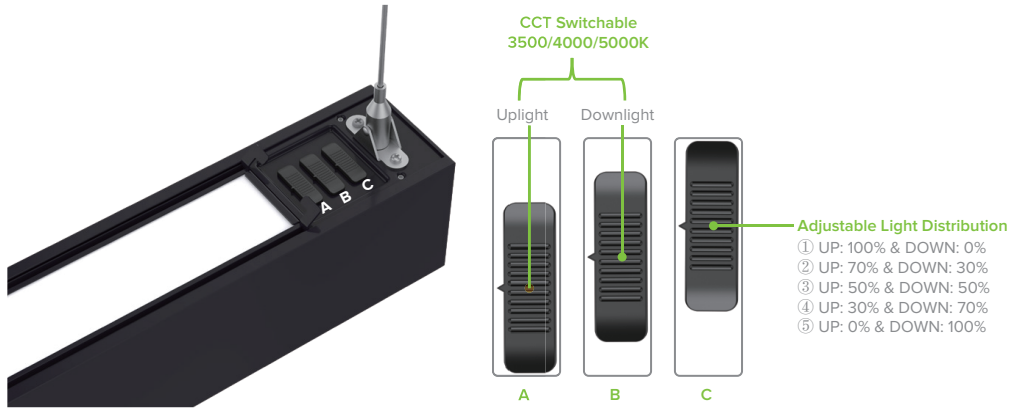
Ordering information

Model	Description
DB77E-4-50W- A5C3	4FT linear strip light, Power Switchable 50W/35W/25W/15W, Color Switchable 3500K/4000K/5000K 120-277VAC/120-347VAC

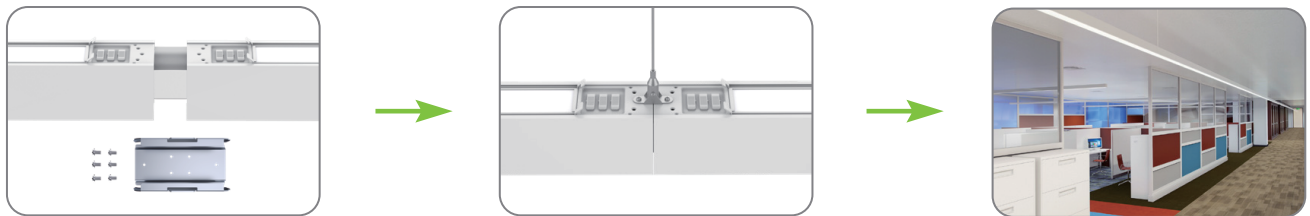
Color Temperature & Light Distribution Field Adjustable Controls

FINISH OPTIONS:

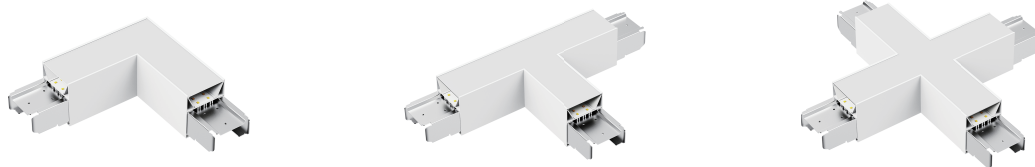
- White
- Black



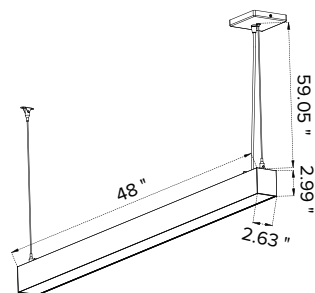
Seamless continuous connection easy



Link Pattern

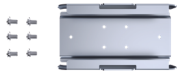


Dimensions



4FT: L x W x H
 48" x 2.63" x 2.99"
 (1219.2x66.8x75.95mm)

Accessories



Straight Connector



L Connector



T Connector



+Connector



Cutttable Flexible Cover



Round Canopy & Power Cable



Square Canopy & Power Cable



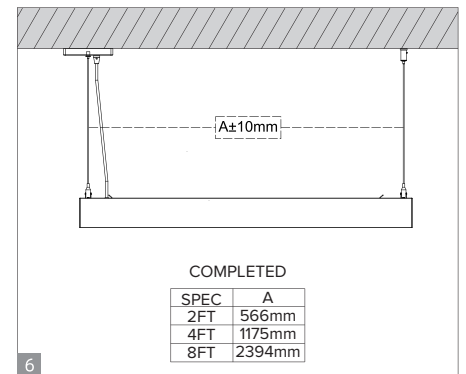
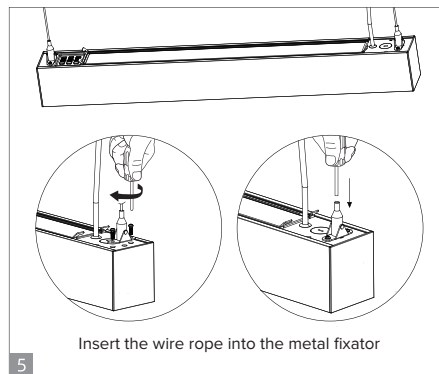
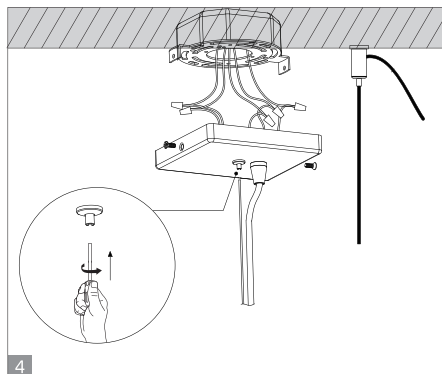
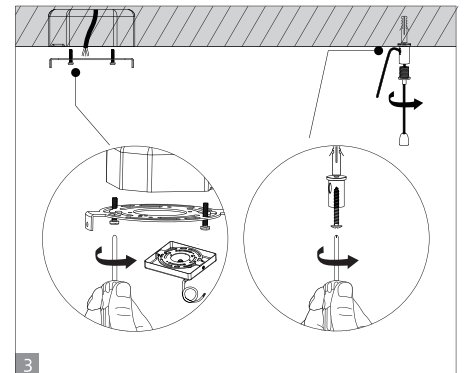
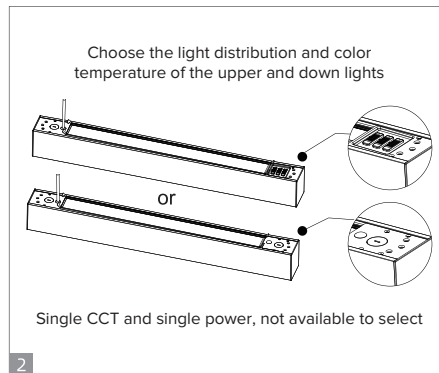
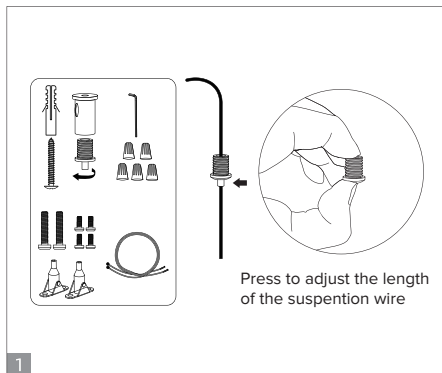
Microwave Motion Sensor (Merrytek)



Emergency Battery Backup

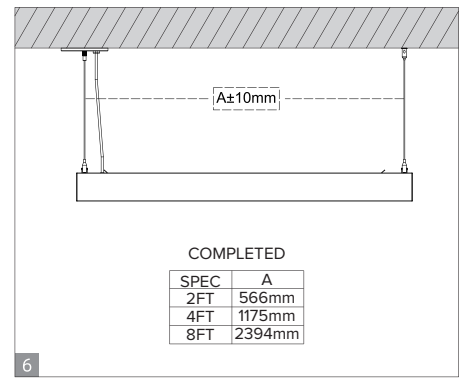
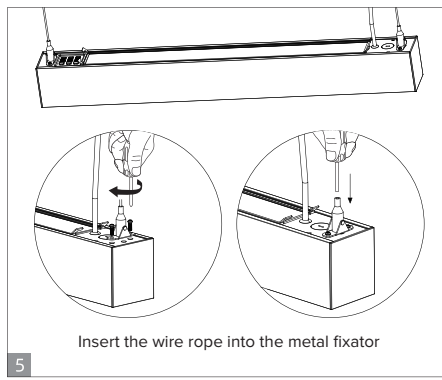
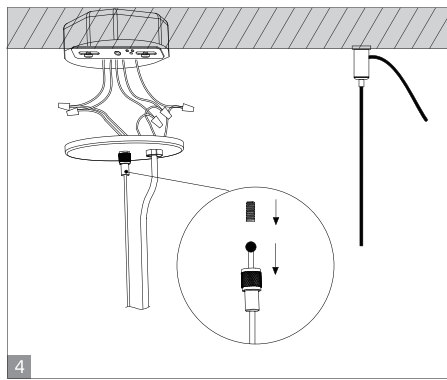
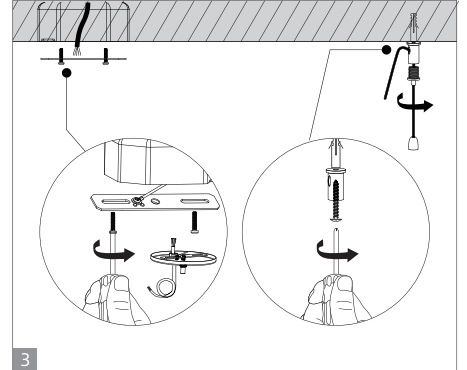
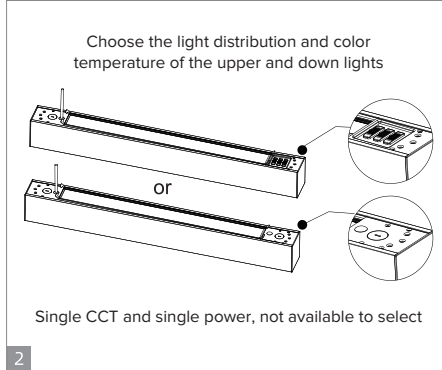
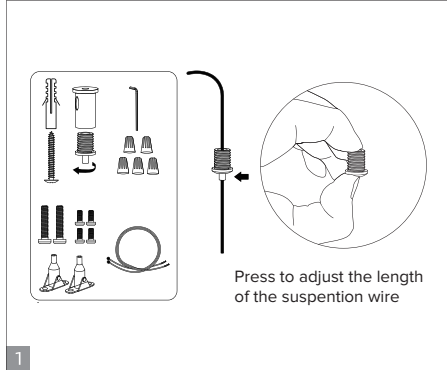
Installation Instruction

Suspension installation with square surface plate.

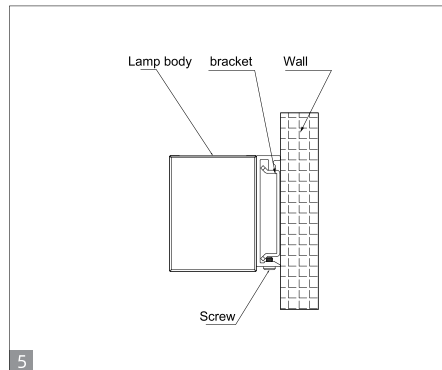
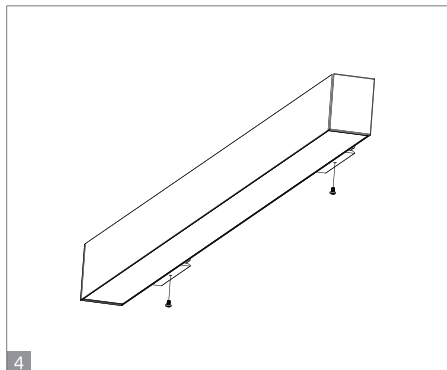
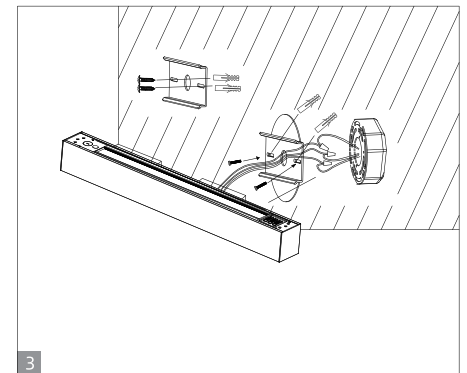
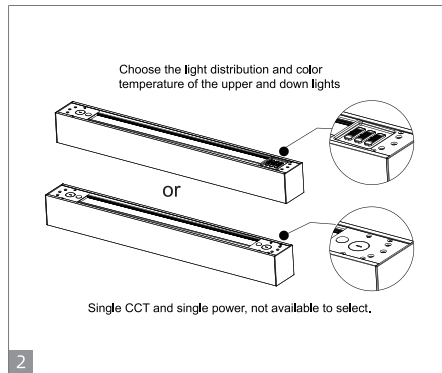
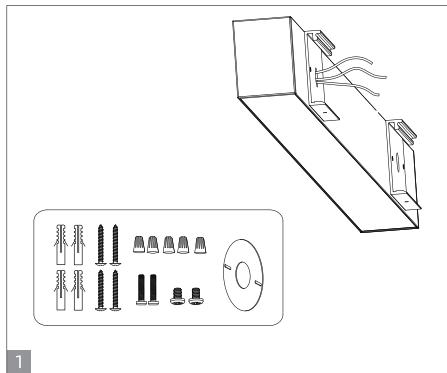




Suspension installation with round surface plate

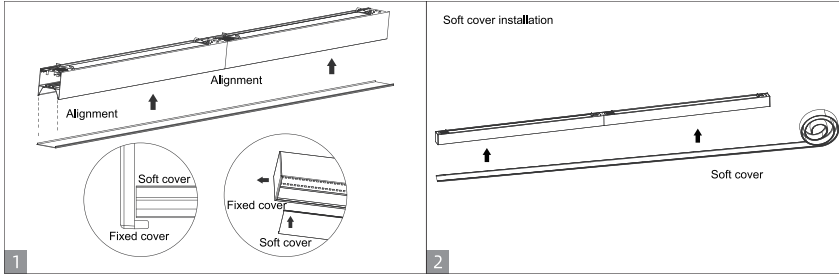


Wall mounted installation

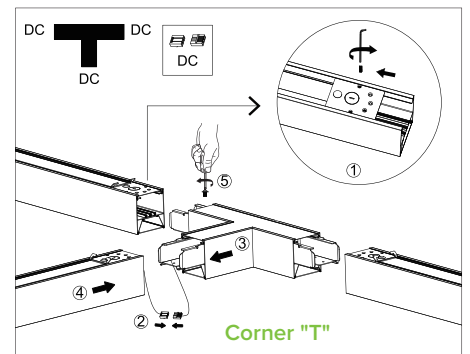
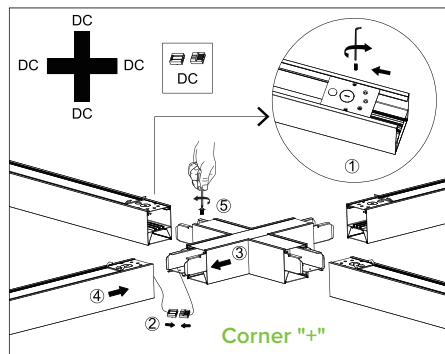
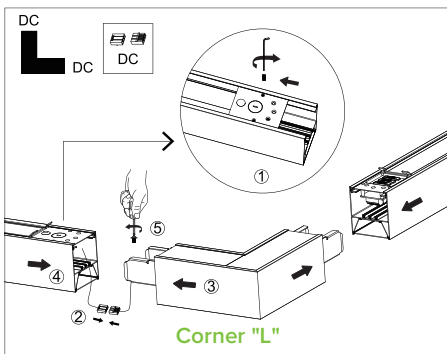




Cover installation



Link Pattern



Packing Information

Model number	L /inch	W /inch	H /inch	QTY/ctn	G.W./lbs	CTN QTY/ pallet
DB77E-4-50W- A5C3	52.3	10.2	17.3	6	46.7	/