



JENLIGHTING

JEN-T2T4

LED TROFFER



FEATURES AND SPECIFICATIONS

Construction

- Precision die-formed steel housing in a white finish
- Recessed design fits most standard T-bar grid ceilings
- 5 Wattage and 5 CCT switches located on driver junction box
- Large driver box for easy installation and wiring

Electrical

- Input Voltage: 100-277Vac 50/60Hz
- 0-10V dimmable, Triac dimming
- THD≤10%, PF≥0.95

Applications

- Offices, retail, schools, restaurants, healthcare, residential, and hospitality applications.

Installation

- Unit simply lifts through grid ceiling and rests on T-bars
- Easy installation in new construction or retrofit
- Standard recessed mounting in most 2' x 2' or 2' x 4' grid ceilings
- Earthquake clips included
- Easily set wattage and CCT during installation using the adjustment switches located on the driver box
- Use in ambient temperatures ranging from -20° C (-4° F) to 35° C (95° F)

Listing

- ETL listed, suitable for damp location.
- DesignLights Consortium®(DLC)Premium.

Warranty

- 5-year limited warranty

Specs at a Glance		* Nominal Wattage (Switchable)		
Configuration	JEN-T2-S40-3050	JEN-T4-S60-3050	JEN-T2-S40-3065	JEN-T4-S72-3065
CCT (K)	3000K-4000K-5000K(Switchable)		3000K-3500K-4000K-5000K -6500K(Switchable)	
Wattage (W)*	20W/30W/40W Wattage Adjustable	40W/50W/60W Wattage Adjustable	20W/25W/30W/35W/40W Wattage Adjustable	30W/40W/50W/60W/72W Wattage Adjustable
Lumens (lm)	2,500-5,200LM	5,000-7,800LM	2,500-5,200LM	3,750-9,360LM
Efficacy (LPW)	Up to 130	Up to 130	Up to 130	Up to 130
CRI	≥80			
Input Voltage	100-277VAC, 50/60Hz, 0-10V Dimmable, Triac dimming			
Operating Temp	-20°C to 35°C (-4°F to 95°F)			
Certifications	ETL DLC 5.1 Premium			
Warranty	5 Years			



Ordering information

Model	Description
JEN-T2-S40-3050	2' x 2' LED Troffer, Power Switchable 20W/30W/40W, Color Switchable 3000K/4000K/5000K/6500K , 100-277VAC
JEN-T4-S60-3050	2' x 4' LED Troffer, Power Switchable 40W/50W/60W, Color Switchable 3000K/4000K/5000K/6500K , 100-277VAC
JEN-T2-S40-3050	2' x 2' LED Troffer, Power Switchable 20W/25W/30W/35W/40W, Color Switchable 3000K/3500K/4000K/5000K/6500K , 100-277VAC
JEN-T4-S72-3050	2' x 4' LED Troffer, Power Switchable 30W/40W/50W/60W/72W, Color Switchable 3000K/3500K/4000K/5000K/6500K , 100-277VAC

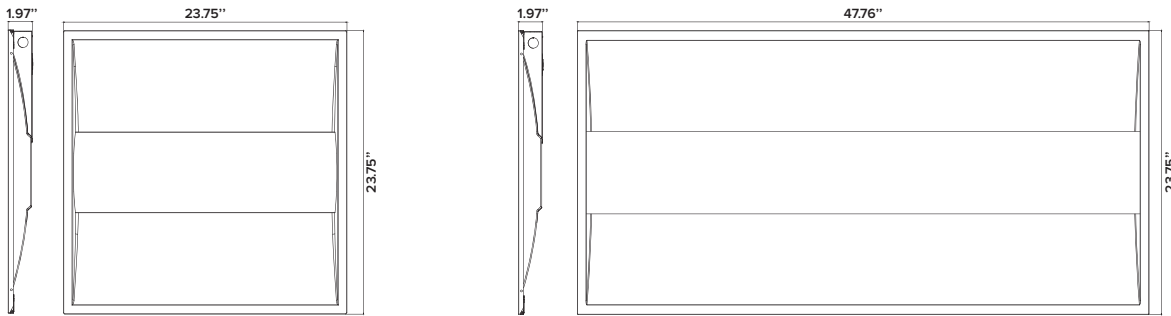


5-in-1 Color Temperature
 (3000K 3500K 4000K 5000K 6500K)
 5-in-1 Wattage (30 40 50 60 72W)
 0-10V Dimming, Triac dimming
 Large driver box for easy installation and wiring
 Support Emergency, Sensor, Bluetooth



5 Wattage and 5 CCT
 selectable switches

Dimensions



Accessories



Emergency Battery Backup



Sensor



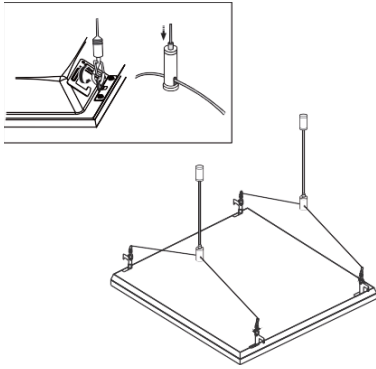
Remote Control



Flexible Installation Options

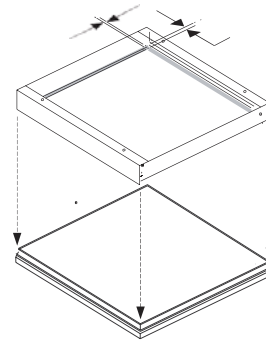
Cable Mount Kit

Optional Y cable mounting kit allows for suspended installations from any ceiling type. (2 pcs/kit)

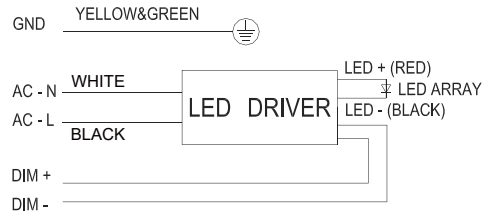
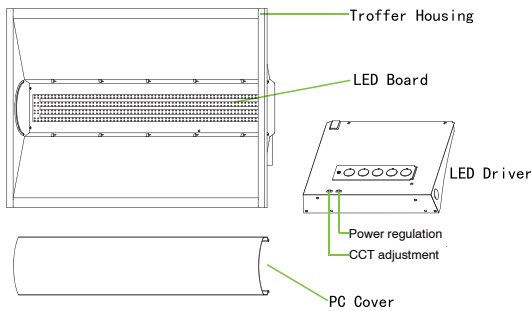


Surface Mount Kit

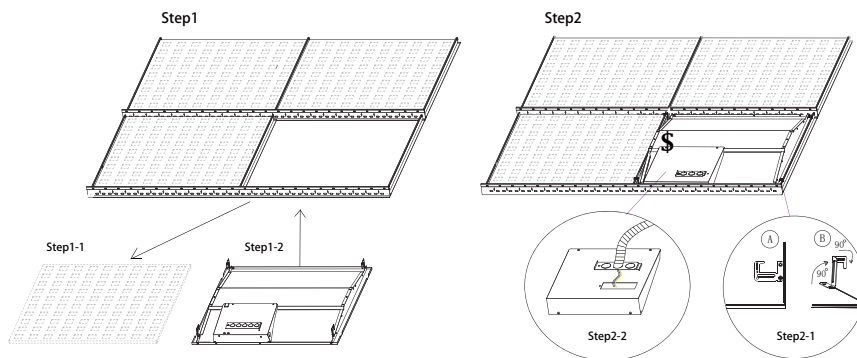
Optional surface mount kit allows for installation on plaster or other hard ceilings.



Wiring Diagram



Installation Instruction



Packing Information

Size/ft	L /inch	W /inch	H /inch	QTY/ctn	G.W./lbs	CTN QTY/pallet
2x2'	25.6	10.3	25.2	4	19.9	96pcs
2x4'	49.2	10.3	25.2	4	42.1	48pcs